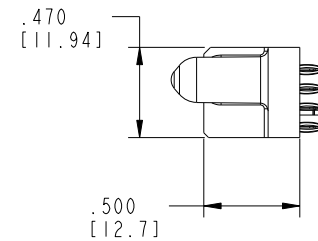
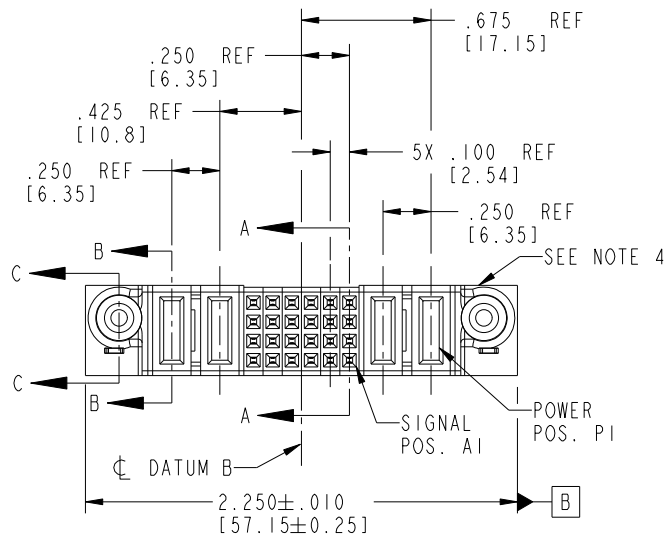


Tous droits strictement réservés. Reproduction ou communication a des tiers interdite sous quelque forme que ce soit sans autorisation écrite du propriétaire. Propriété de c FCI. Droits de reproduction FCI.



All rights strictly reserved. Reproduction or issue to third parties in any form whatever is not permitted without written authority from the proprietor. Property of FCI. Copyright FCI.

PRODUCT NO. 51750-036-- NOTE : 3	ROWS D C B A	POWER		SIGNAL						POWER			
		E2	P4	P3	6	5	4	3	2	1	P2	P1	E1



CODE	DIM "M" MATING LENGTH	CONTACT TYPE
F	N/A [N/A]	SIGNAL
PC	.042 [1.07]	POWER
PF	.092 [2.34]	POWER
HA	N/A [N/A]	HOLD-DOWN

mat'l code				SEE NOTE 2		tolerances unless otherwise specified		CUSTOMER		FCI	
lir	ecn no.	dr	date	linear	.XX±.01/0.X±0.3	COPY		www.fciconnect.com		title	
A	V21318	CGD	08/09/02		.XX±.005/0.X±0.13	projection		2P + 24S + 2P		VERTICAL PRESS FIT RECEPTACLE	
B	DG05-0504	GuoJM	11/28/05	angles	.XXX±.0020/0.XXX±0.051	INCH/MM		product family		code	
C	DG08-0251	W D	09/16/08		0°+2°	scale		PwrBlade		213	
sheet index			revision sheet	C	C	C	C	size		sheet	
			1	2	3	4		dwg no		1 of 4	
								A		51750-036	

B

B

1 | 2

Pro/E

PDM: Rev: C

STAT: Released

Printed: Sep 20, 2008

3

4

cage code 22536

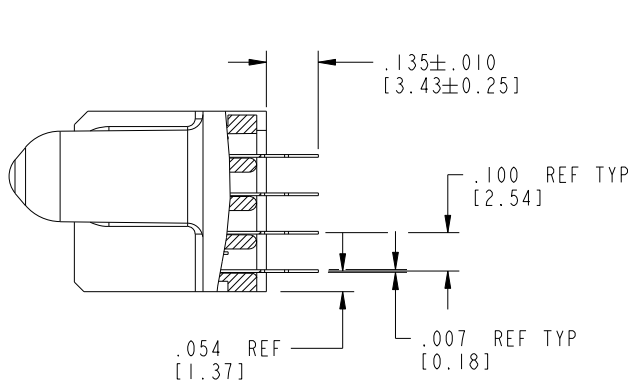
4

Tous droits strictement réservés. Reproduction ou communication a des tiers interdite sous quelque forme que ce soit sans autorisation écrite du propriétaire. Propriété de c FCI. Droits de reproduction FCI.

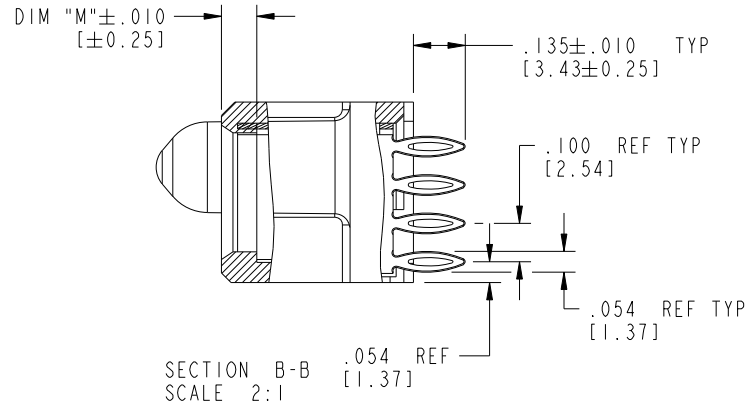
All rights strictly reserved. Reproduction or issue to third parties in any form whatever is not permitted without written authority from the proprietor. Property of FCI. Copyright FCI.



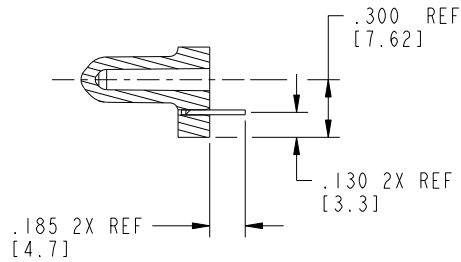
PRODUCT NUMBER  
51750-036\_\_  
NOTE : 3



SECTION A-A  
SCALE 2:1



SECTION B-B  
SCALE 2:1



SECTION C-C

mat'l code		SEE NOTE 2		tolerances unless otherwise specified		CUSTOMER		FCI	
lir	ecn no.	dr	date	linear	.XX±.01/0.X±0.3	COPY		www.fciconnect.com	
C				projection	.XX±.005/0.XX±0.13	INCH/MM		title	
				angles	.XXX±.0020/0.XXX±0.051	1:1		2P + 24S + 2P	
				dr	0°±2°	scale		VERTICAL PRESS FIT RECEPTACLE	
				engr	C. DAILY 08/09/02	A		product family	
				chr	M. MOSTOLLER 08/09/02	51750-036		PwrBlade	
				appd	M. MOSTOLLER 08/09/02	A		code	
sheet index	revision sheet							213	
								sheet	
								2	

Pro/E

PDM: Rev: C

STATUS: Released

Printed: Sep 20, 2008





1 | 2

3 |

4

PRODUCT NUMBER  
51750-036\_\_  
NOTE : 3

NOTES:

1. DIMENSIONS AND TOLERANCES ARE IN ACCORDANCE WITH ASME Y14.5M, 1994 UNLESS OTHERWISE SPECIFIED.

CONNECTOR NOTES:

2. HOUSING MATERIAL: UL 94 V-0 GLASS FILLED HIGH-TEMP THERMOPLASTIC  
POWER CONTACT MATERIAL: COPPER ALLOY  
SIGNAL PIN MATERIAL: COPPER ALLOY

△ 3. SEE ITEM 7 & 8 IN PRINT 10064183 FOR PLATING SPEC OF 51750-036 AND 51750-036LF RESPECTIVELY.

4. MANUFACTURER'S NAME, P/N, AND DATE CODE TO APPEAR ON THIS SURFACE.

5. PRODUCT SPECIFICATION GS-12-149.  
APPLICATION SPECIFICATION BUS-20-067

PCB - NOTES:

6. ALL HOLE DIAMETERS ARE FINISHED HOLE SIZE.

7. MOUNTING HOLES, WHERE APPLICABLE, ARE UNPLATED.

8.  $\varnothing .0453 \pm .0010$  [1.151 ± 0.025] DRILLED HOLES PLATED WITH .0003 [0.008] MIN SnPb OVER .001 [0.03] TO .003 [0.08] Cu PLATING TO ACHIEVE  $\varnothing .040 \pm .003$  [1.02 ± .07] HOLE.

9. "DIM XXX" AND "YYY" TO BE DETERMINED BY THE CUSTOMER.

10. CONNECTOR KEEP-OUT ZONE.

11. A △ SYMBOL WILL BE NEXT TO ANY DIMENSION, VIEW, OR NOTE WHICH HAS BEEN MODIFIED WITH THE CURRENT DRAWING REVISION.

mat'l code		SEE NOTE 2		tolerances unless otherwise specified		CUSTOMER		FCI		www.fciconnect.com	
lfr	ecn no.	dr	date	linear	.XX±.01/0.X±0.3	COPY		projection		title	
C					.XX±.005/0.XX±0.13	INCH/MM				2P + 24S + 2P VERTICAL PRESS FIT RECEPTACLE	
				angles	.XXX±.0020/0.XXX±0.051	scale		product family		code	
				dr	0° ± 2°	1:1		PwrBlade		213	
				engr	C. DAILY 08/09/02			size		sheet	
				chr	M. MOSTOLLER 08/09/02			A		4	
				appd	M. MOSTOLLER 08/09/02			51750-036			
sheet index	revision sheet										

1 | 2

Pro/E

PDM: Rev: C

STATUS: Released

Printed: Sep 20, 2008

A

A

B

B

cage code 22536

4